

Product/Maintenance information no. 2019-1

Date: 2019-12-17

Created / Approved by: Martin Johansson

Announcement concerning Water engine Art no 36512.



Background and Measures

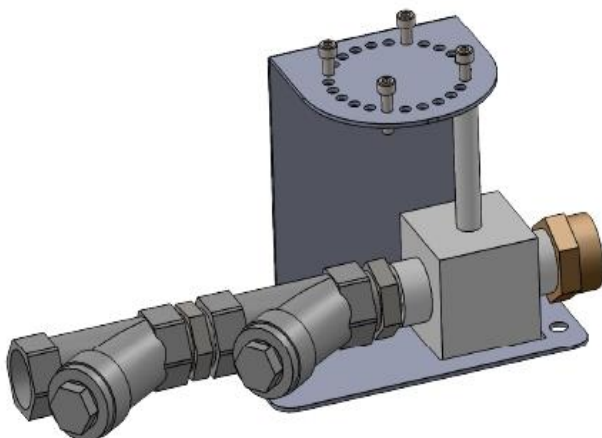
After been using this item in our production for over 30 years, all the way up until 2012, the manufacturing of this item has ended abruptly.

To make the transmission as smooth as possible, we have created a replacement kit for this function, please see pictures below.

We are sorry for this inconvenience, but we are doing what we can to minimize the damage.

If you have any questions, please contact us!

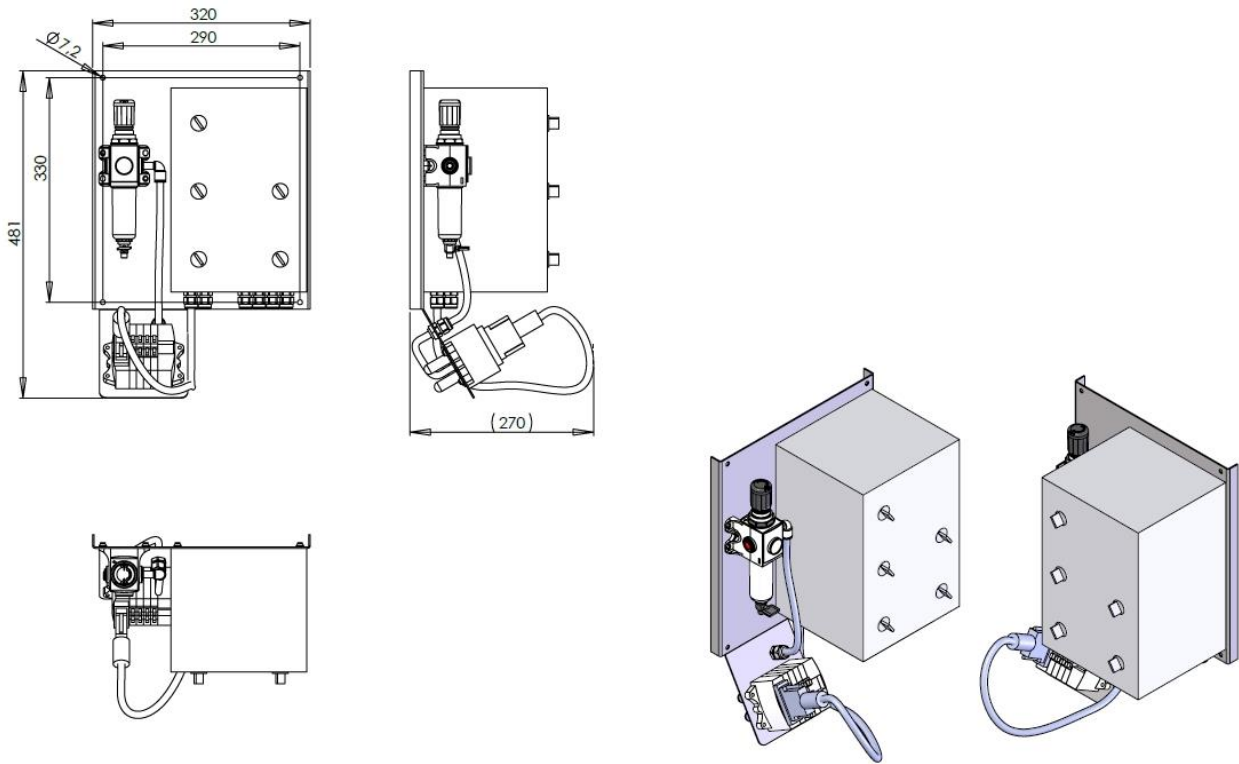
Lagafors AB



Pic 1

Art no 40725

Flow sensor kit f/ replacing water engine



Pic 2 Art no 40726 Electrical cabinet kit f/ replacing water engine

Max 4 pcs 40725 can be connected

Overview of installation

